

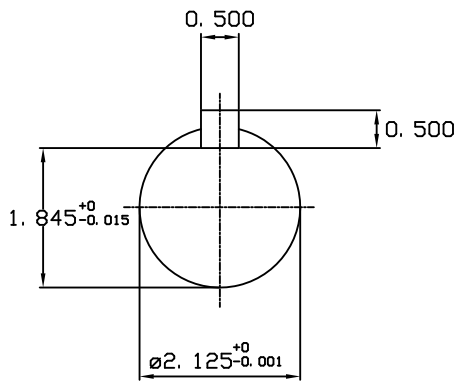
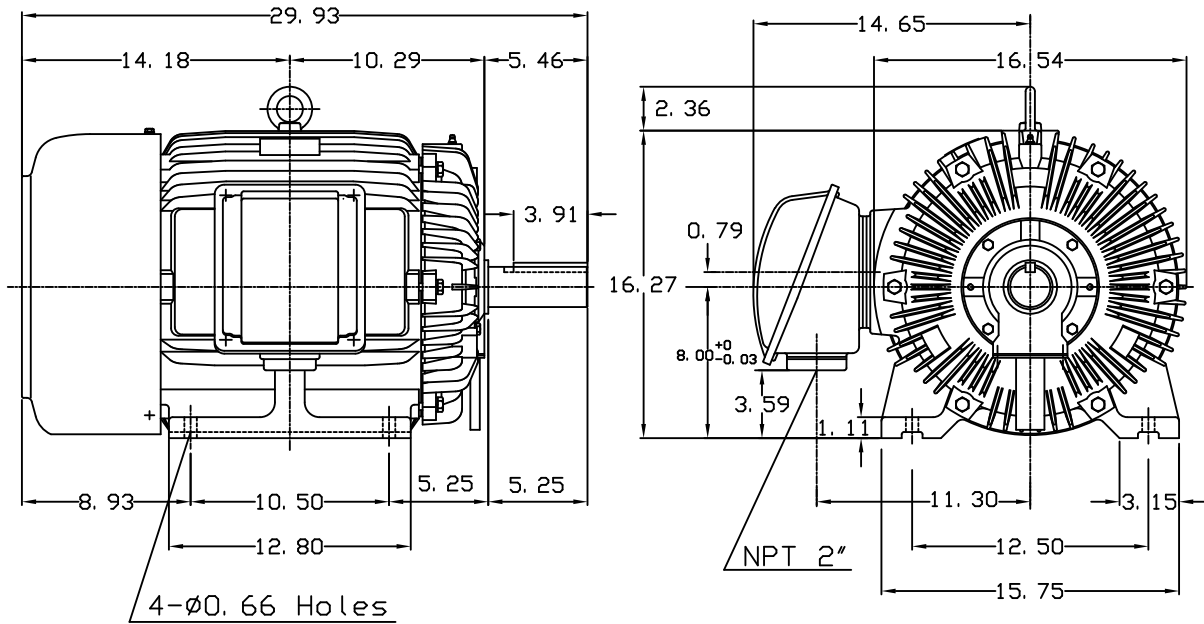
DATE  
DEC. 30, 2018  
CATALOG NO.  
EPO208

OUTLINE DIMENSIONS  
3-PHASE INDUCTION MOTOR

MOTOR TYPE:  
AEHH8N  
FRAME NO. 324T

| Pole | HP     | KW           | Hz            | VOLT     | Syn. Speed<br>RPM |
|------|--------|--------------|---------------|----------|-------------------|
| 8    | 20     | 149          | 60            | 230/460  | 900               |
| Ins  | Rating | Dimension in | Approx Weight | Bearings |                   |
| F    | CONT.  | inches       | 585 lbs.      | DE: 6312 | NDE: 6212         |

Totally Enclosed Fan-Cooled Type. Squirrel-Cage Rotor.



① 03.16.00

J. C. LIN

|       |             |          |
|-------|-------------|----------|
| DWN.  | J. H. LIANG | 11-30-98 |
| CHKD. | C. H. KAO   | 12-26-98 |
| APPD. | Y. B. HUANG | 12-26-98 |

TECO Westinghouse

DWG NO.  
31057H364001